

M
SERIES

The New Standard



— The New **MYCOM**
M-Series.

MAYEKAWA

A Revolution in Efficiency

Natures Match

With the power of Mayekawa's research and development department we are pleased to introduce the new **M_x - SERIES** compressor. The **M_x** was created to combat current soaring energy costs with the ability to reduce Kw consumption, while still providing the Tonnage required. The **M_x** will definitely prove to be the most efficient reciprocating compressor in the global market place.

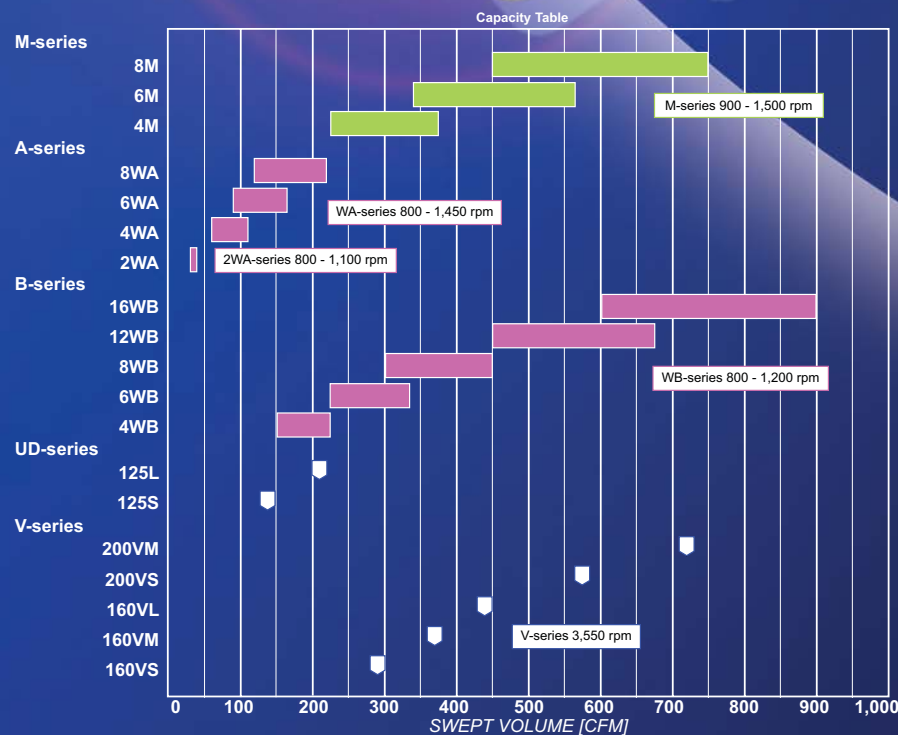


REDUCE - energy -

With efficiencies up to 20% better than reciprocating compressors that are available in marketplace and up to 30% better than mini screw compressors, the **M_x** has the power to reduce bottom line operating costs.

REUSE - heat of compression -

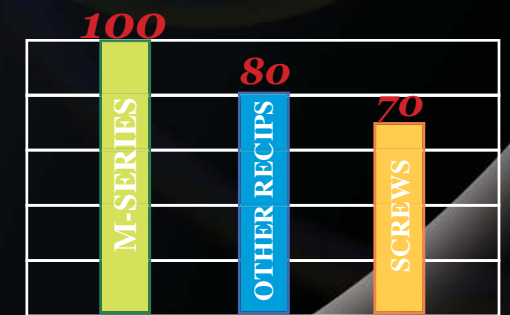
Increase the performance of your refrigeration facility by capturing the heat of compression generated by the **M_x** compressor (greater than that of a screw compressor) to substantially improve the energy efficiency of any refrigeration system.



REFRIGERATE

- Greater Efficiency with a screw capacity range
- Less BHP per ton
- Compact in Design
- Precision design effortless overhaul
- 50% ~ 60% increase in run times between overhauls*
- The New Standard

* Overhaul times based on best case scenario.



Efficiency Comparison



Heat Recovery Comparison

* All informations herein are for reference use only and are subject to change without notice.



SPECIFICATIONS

STANDARD FEATURES

- Capacity control solenoid valve
- Discharge side thermometer
- Suction side thermometer
- Oil filter
- Gasket (non-asbestos)
- Suction shut-off valve
- Discharge shut-off valve
- Oil cooler
- Flywheel
- Safety valve

POSSIBLE OPTIONS

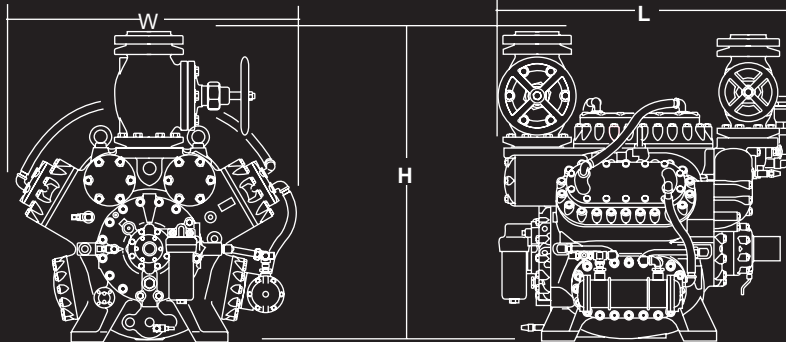
- Oil heater with thermo-switch

* Some options may not be available in your area

MODEL		4M	6M	8M
Refrigerant		Ammonia		
Cylinder Diameter (mm / inch)		146 / 5.75		
Stroke (mm / inch)		106 / 4.17		
Number of Cylinders		4	6	8
Revolution (rpm)		900 ~ 1500		
Displacement (CFM)	900 rpm	225.6	338.4	451.3
	1200 rpm	300.8	451.3	601.7
	1500 rpm	376.1	564.1	752.1
Driving Methods		Direct or Belt Drive		
Flywheels		C x 8; 10 / 8V x 4 or 5 or 6		
Volume Control	Load (%)	0, 50, 100	0, 33, 66, 100	0, 25, 50, 75, 100
	Method	Hydraulic Solenoid Valve		
	Voltage	120V		
Refrigerant Oil		Napthenic Base Mineral Oil, ISO-VG46 or ISO-VG68		

*Informations shown here are for reference only. Subject to change without notice.

OUTER DIMENSIONS



MODELS	W	L	H
4M	1019 (40)	1211 (48)	1256 (49 1/2)
6M	1147 (45)	1247 (49)	1269 (50)
8M	1147 (45)	1283 (50 1/2)	1339 (52 1/2)

*Measurements are in mm (inches). Information shown here is for reference only. Subject to change without notice.

MAYEKAWA

MYCOM

www.mayekawausa.com
www.mycomcanada.com

Natural Is What We Design For!

Torrance, CA
Modesto, CA
San Antonio, TX
York, PA
Montvale, NJ
Seattle, WA
Charlotte, NC
Chicago, IL
Vancouver, BC (Canada)
Toronto, ON (Canada)

Phone: 310-328-1362
Phone: 209-545-9752
Phone: 210-599-4356
Phone: 717-779-0138
Phone: 201-307-9199
Phone: 425-977-4285
Phone: 704-896-3632
Phone: 773-516-5070
Phone: 604-270-1544
Phone: 905-564-0664

Fax: 310-782-6759
Fax: 209-545-3654
Fax: 210-599-4358
Fax: 717-779-0109
Fax: 201-307-1566
Fax: 425-911-4359
Fax: 704-896-3697
Fax: 773-516-5071
Fax: 604-270-9870
Fax: 905-564-7614

